

EAGLE MANUFACTURING COMPANY

304-737-3171
FAX 304-737-1752

2400 CHARLES STREET
WELLSBURG, W.V. 26070
www.eagle-mfg.com

EAGLE OPEN HEAD DRUM Model I60IM and I60IMB are UN certified.

It is a 30 gallon drum with no handles.

Its certification numbers are:

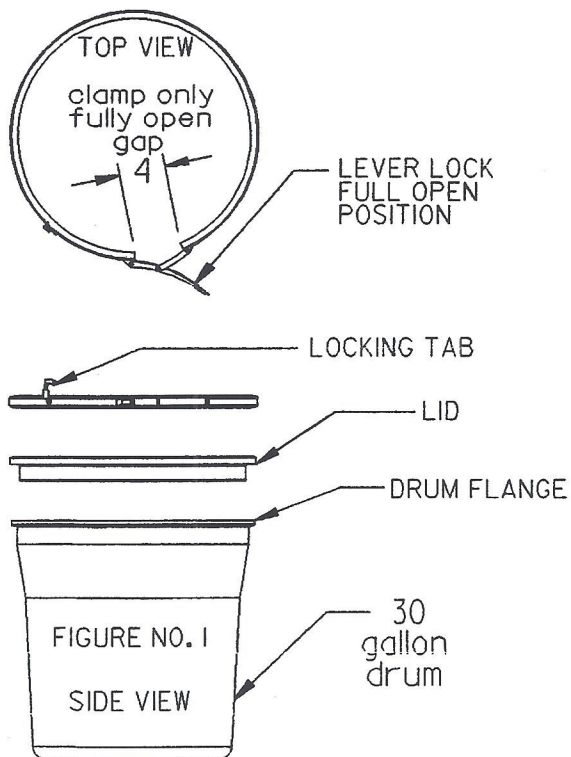
IH2/XI20/S/XX/USA/M4990 and IH2/YI80/S/XX/USA/M4990

These containers are made of high density polyethylene which is chemically resistant to many materials. It is not chemically resistant to all materials. Do not fill with any material that is not chemically compatible with this container.

These containers are certified for use with solids. There must be enough absorbent material placed inside the drum to absorb all free liquid to meet un/dot certification.

INSTRUCTIONS FOR USE

Figure no. 1 shows the clamp full open with 4" gap between the ends of the band. Also locking tab is shown on the top side of band.

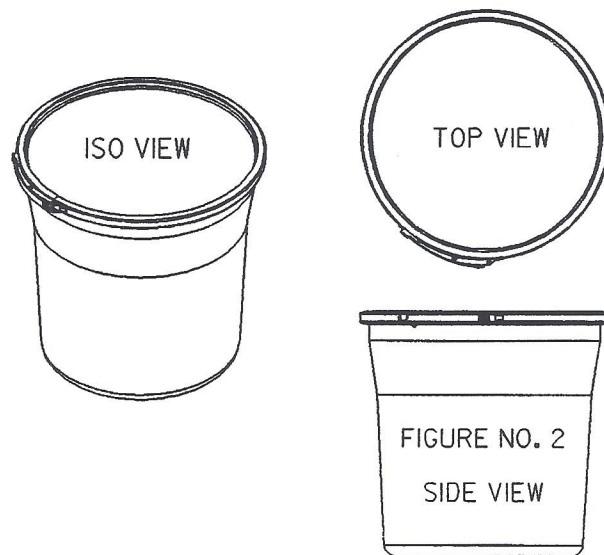


STEP 1:

Fill the drum. The total weight of the drum, lid, locking band, and the contents of the drum should not exceed (120 kg = 265 lbs. or 180 kg = 397 lbs.)

There must be enough absorbent material in the drum to absorb all free liquids.

Figure no. 2 shows the drum, lid, and band clamp with locking tab all assembled.



STEP 2:

Place the lid on the drum and center the lid on the drum by tucking the drum flange inside of the lid gasket area.

STEP 3:

Take the clamp with both hands and open clamp as far as possible. (about 4" gap)
Place clamp over lid and drum flange by tilting clamp so where the gap is will go over lid and drum flange first. Then level clamp down over lid and start to close clamp around lid and drum with lever lock. After lever is tight against the band, rotate the lock tab until it goes through slot in the lever body.

EAGLE MANUFACTURING COMPANY

304-737-3171
FAX 304-737-1752

24th AND CHARLES STREET
WELLSBURG, W.V. 26070

EAGLE OPEN HEAD DRUM Model 1601 is UN certified. It is a 30 gallon drum with no handles.
Its certification number is 1H2/X100/S/xx/USA/M4990.

EAGLE OPEN HEAD DRUM Model 1652 is UN certified. It is a 20 gallon drum with handles.
Its certification number is 1H2/X40/S/xx/USA/M4990.

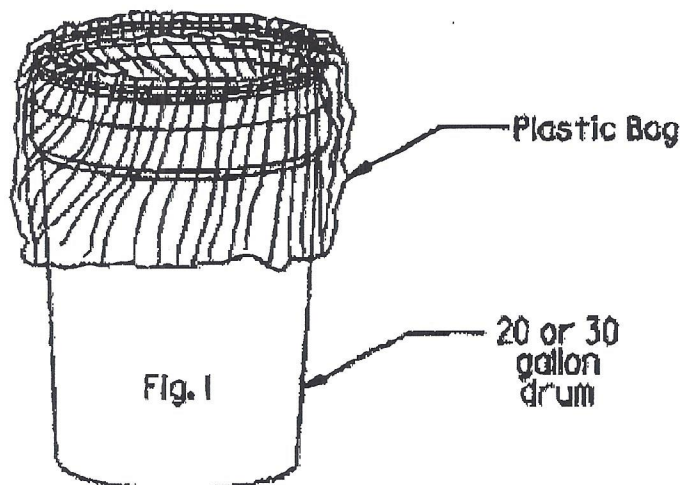
These two containers are made of high density polyethylene which is chemically resistant to many materials. It is not chemically resistant to all materials. Do not fill with any material that is not chemically compatible with this container.

These containers are certified for use with solids. There must be enough absorbent material placed in the bag inside the drum to absorb all free liquids. The plastic bag and wire tie must be used to make these drums meet un/dot certification.

INSTRUCTIONS FOR USE

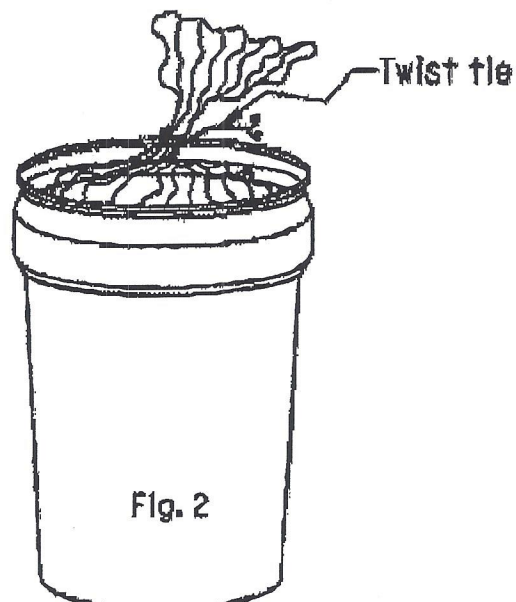
STEP 1:

Remove polybag and twist tie from the drum. Unfold the polybag and place it in the drum as a liner (See Fig. 1). Allow the ends of the polybag to hang over the outside of the drum.



STEP 3:

Bunch the polybag together at the top, pushing out the excess air. Twist the bag until a 'rope' is formed. Twist the tie tightly around the 'rope' to keep it from unravelling (See Fig. 2).



STEP 2:

Fill the drum. All contents must be placed inside the polybag. The total weight of the drum, lid, locking band, and the contents of the drum should not exceed (100 kg = 220 lbs. for 1601) or (40 kg = 88 lbs. for 1652). There must be enough absorbent material in the drum to absorb all free liquids.

STEP 4:

Tuck the end of the polybag above the twist tie into the drum to keep it away from the gasket sealing edge of the drum. Place the lid on the drum and lock the band on the drum securely.

DSM 6/6/00
REV 4/12/00